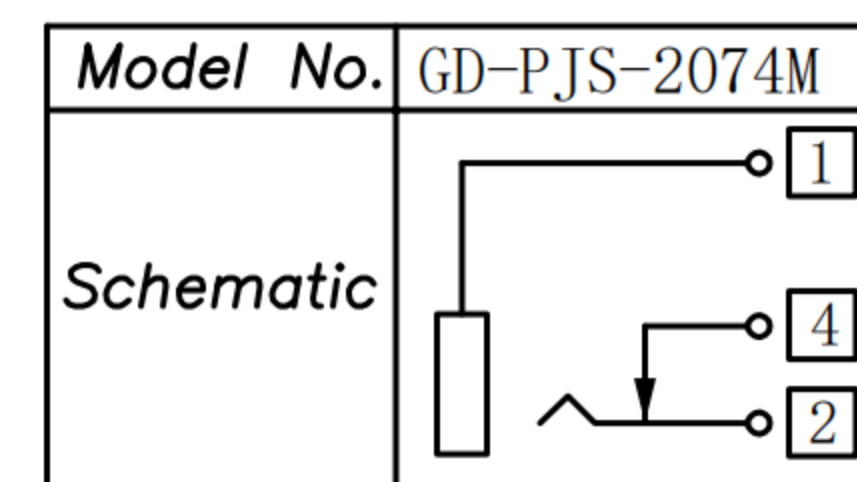
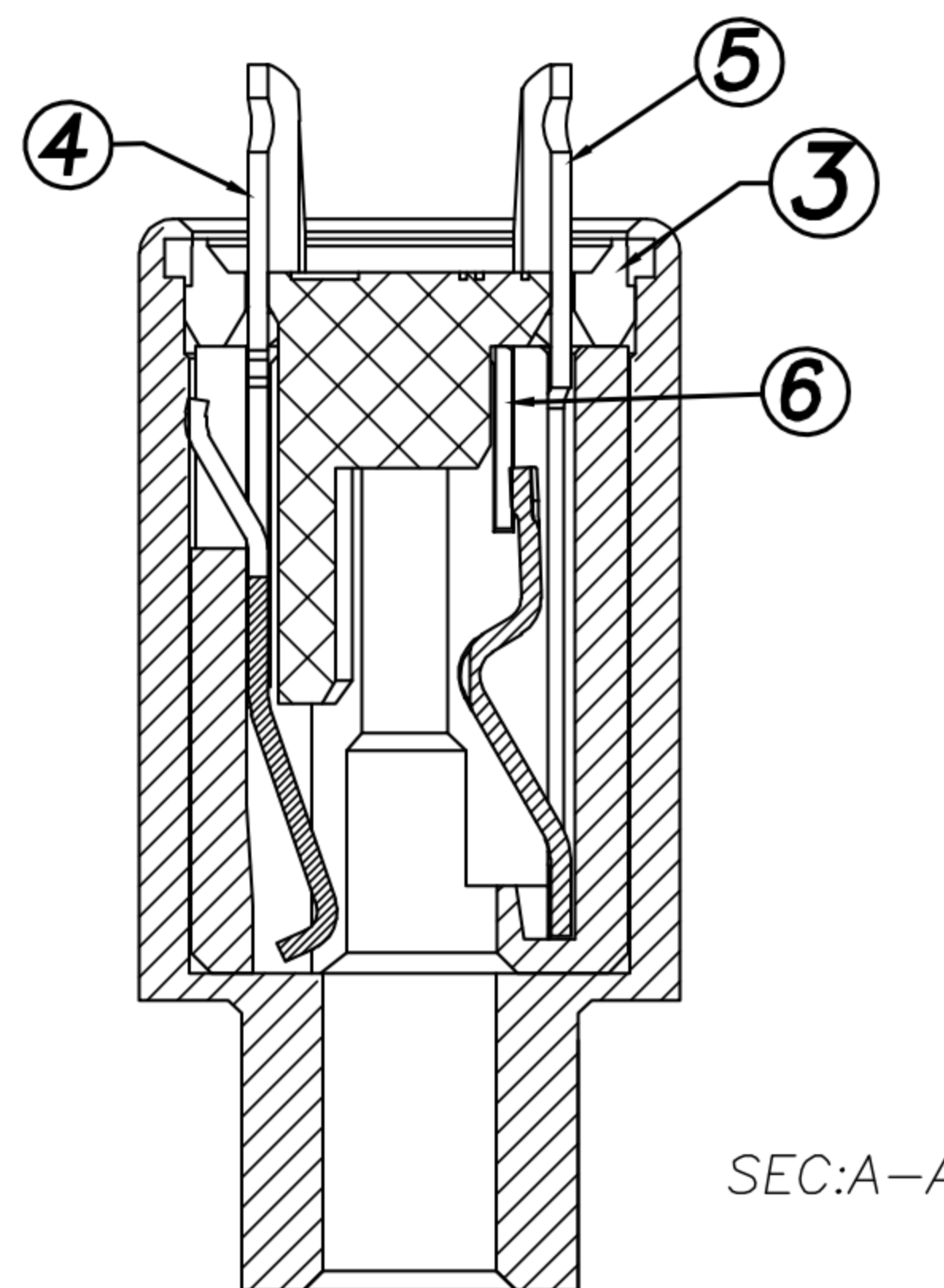
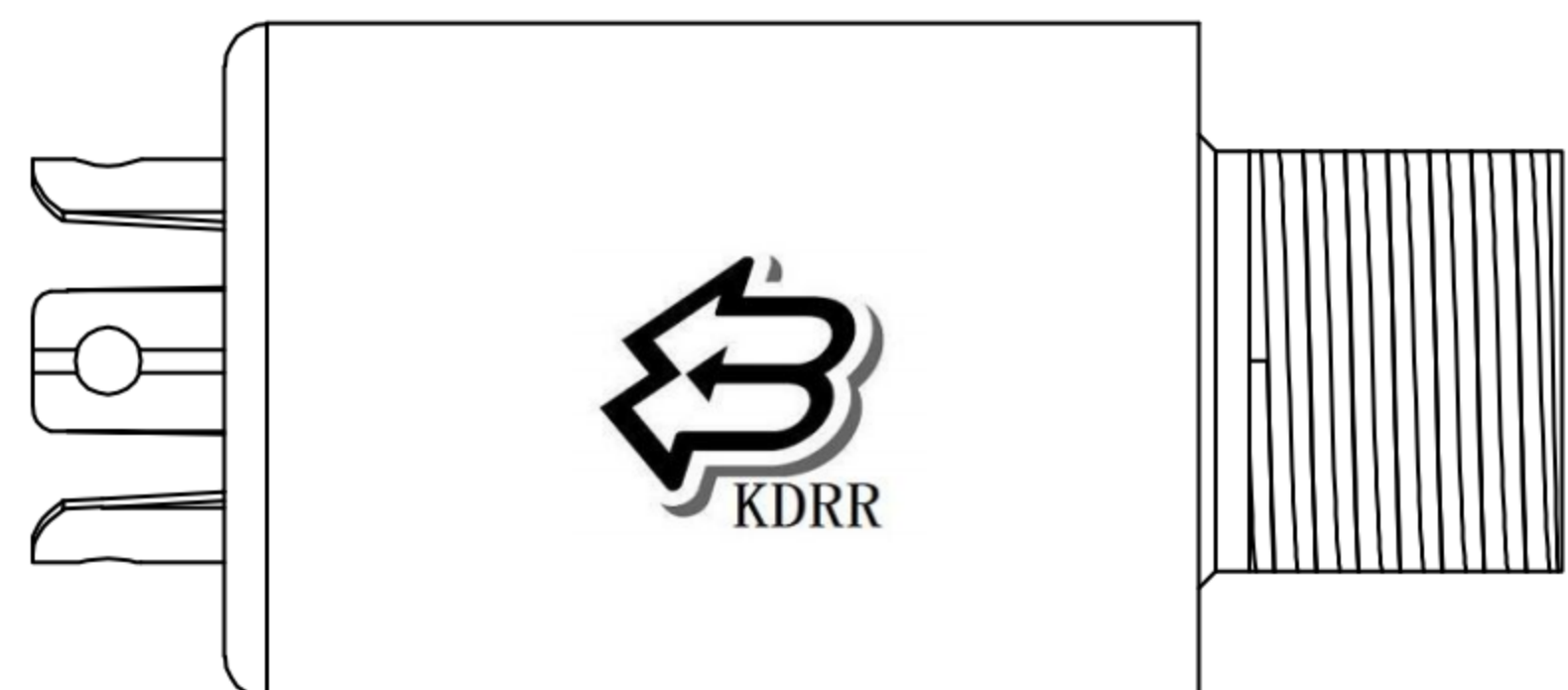


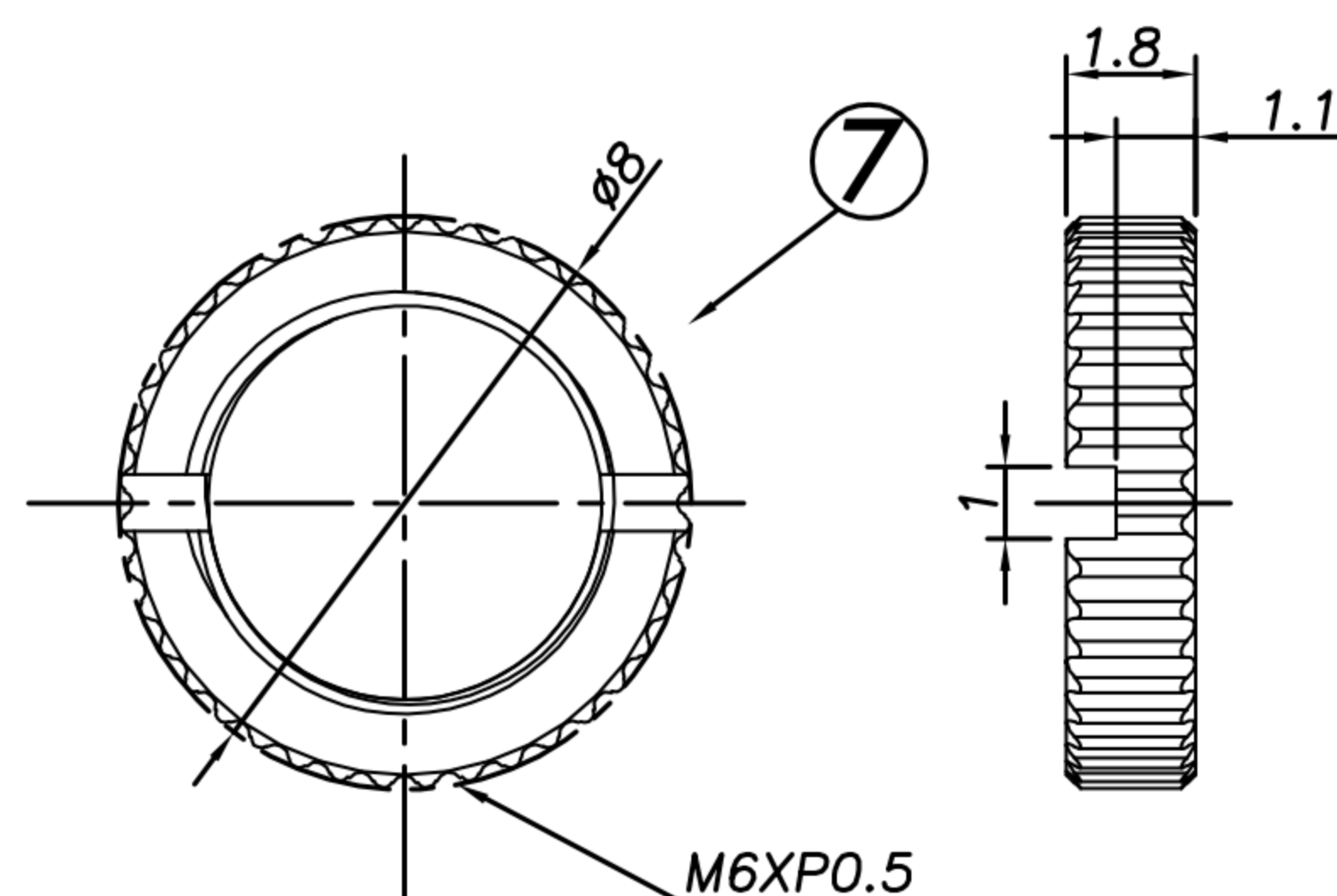
Ordering information:
GD-PJS-2074M
 (1) (2) (3) (4) (5) (6) (7)

(1):Series No.
 (2):Schematic option: C
 (3):Material of housing:
 66=PA66
 (4):Bushing plating:
 0A=Black
 (5):Terminal plating
 S=Sivler(Ag)
 (6):Special option:
 00=No special option
 △ 01=2#端子料号GD-PJS-2074M (7):Packing mode:
 4=Bag packing

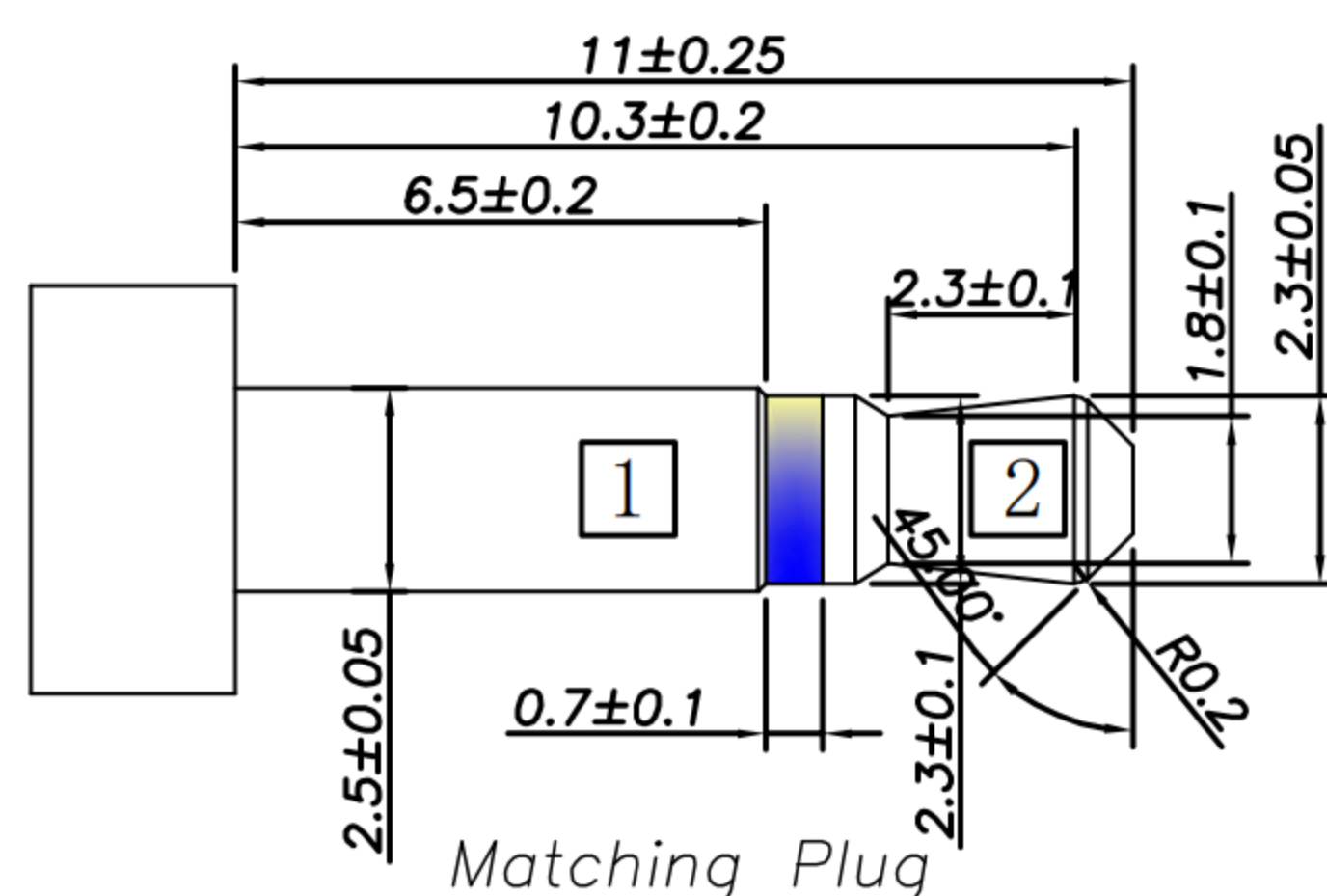


SCHEMATIC

Specification:
 1. Rating : DC 30V 0.5A;
 2. Contact resistance: ≤30mΩ;
 After test: ≤50mΩ
 3. Insulation resistance: ≥100MΩ (500VDC);
 After test: ≥50MΩ
 4. Withstand voltage: 500VAC ;
 5. Insertion and extraction force: 3N~30N;
 6. life test: 5000cycles min;
 7. Operation temperature range:-20°C~70°C
 8. Preservative temperature range:-40°C~85°C



The nut cannot be carried on products, to separate packing, quantity and product form a complete set, is placed in a box.



7	Nut	1	Brass M6*P0.5	PJ20740-77	NI 50U"MIN
6	Shunt terminal	4	Brass	PJ20740-03	Ag 20U"MIN
5	Tip spring	2	铍铜 (客人提供)	PJ2074M-02	Ag 20U"MIN
4	Earth spring	1	Phosphor Bronze	PJ20740-01	Ag 20U"MIN
3	Cover	1	PA66	PJ2074N-S2	Black
2	Housing	1	PA66	PJ2074N-S1	Black
1	Body	1	Brass	PJ20740-88	NI 50U"MIN
NO.	DESCRIPTION	QTY	MATERIAL	PART NO.	REMARK

5	新增PLUG標號	Jack	052819
4	更新圖面	Jack	052419
3	新增3d上方圖	Jack	101918
2	更新圖面	Jack	092818
1	新增尺寸	Jack	070717
ITEM NO.	DESCRIPTION	DRAWN	DATE

东莞市高迪电子有限公司
 Dong Guan KDRR Electronic Switch Jack Co., Ltd.

TOLERANCE UNLESS OTHERWISE STATED:
 Up to 5 ±0.2
 Above 5 ~ 15 ±0.3
 Above 15 ~ 30 ±0.4
 Above 30 ~ 50 ±0.5
 Angle ±0.3°

3RD. ANGEL'S
 UNITS MM

DRAWN BY:	DATE	MAT'L	TITLE	JACK
Ming Ming Zou	6/8/23			
CHECKED BY:	DATE	FINISH	MODLE	PHONE JACK
Ning Ning Su	6/8/23			
APPROVED BY:	DATE	SCALE	DWG NO.	GD-PJS-2074M
Jia Xiang	6/8/23	1:1		
SHEET NO.	1 of 1	PART NO.		
				SIZE A4
				VER R5